

HRT16 Fuse

Standard: IEC 60269

Function

HRT16 fuse provide:

- Protection of circuits against overload current
- Protection of circuits against short-circuit current

Order Information



Fuse-link	Rate current In(A)	Suitable fuse bases	Weight(g)	Reference
HRT16-00	2	HRT16-00	170	HRT16002
	4			HRT16004
	6			HRT16006
	8			HRT16008
	10			HRT160010
	12			HRT160012
	16			HRT160016
	20			HRT160020
	25			HRT160025
	32			HRT160032
	40			HRT160040
	50			HRT160050
	63			HRT160063
	80			HRT160080
100	HRT1600100			
125	HRT1600125			
160	HRT1600160			
HRT16-1	80	HRT16-1	450	HRT16180
	100			HRT161100
	125			HRT161125
	160			HRT161160
	200			HRT161200
	250			HRT161250
HRT16-2	125	HRT16-2	660	HRT162125
	160			HRT162160
	200			HRT162200
	250			HRT162250
	300			HRT162300
	315			HRT162315
	355			HRT162355
400	HRT162400			
HRT16-3	315	HRT16-3	850	HRT163315
	355			HRT163355
	400			HRT163400
	450			HRT163450
	500			HRT163500
	630			HRT163630

HRT16 Fuse

Standard: IEC 60269

Order Information



Fuse Base	Rate current In(A)	Material	Weight(g)	Reference
HRT16-00	160	Ceramic	200	HRT1600ZT
		Resin		HRT1600ZS
HRT16-1	250	Ceramic	700	HRT161ZT
		Resin		HRT161ZS
HRT16-2	400	Ceramic	1150	HRT162ZT
		Resin		HRT162ZS
HRT16-3	630	Ceramic	1280	HRT163ZT
		Resin		HRT163ZS

Technical Data

Rated working current	2-630A
Rated operation voltage	500/690V
Rated breaking capacity	120KA(500V),50KA(690V)



Accessory-puller

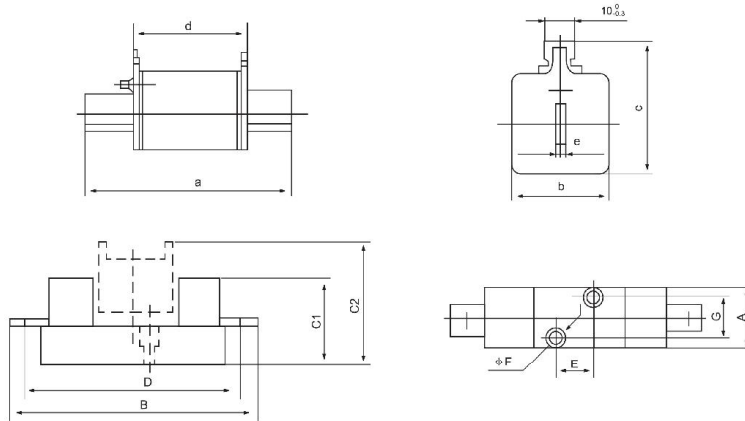
Material	Usage	Reference
ABS(frame resistance)	Assemble and replace HRT16 fuse	HRT16C

HRT16 Fuse

Standard: IEC 60269

Overall Dimensions

Unit: mm



Type	HRT16-00	HRT16-1	HRT16-2	HRT16-3
a	78.5	135	150	150
b	29	48	58	67
c	57	62	72	85
d	49	67	67	67
e	6	6	6	6
A	30	58	64	64
B	120	200	250	250
C1	61	83	99	105
C2	85	96	112	120
D	100	175	200	210
E	25	25	25	25
F	7.5	10.5	10.5	10.5
G	—	30	30	30