



CENOVNIK 2016



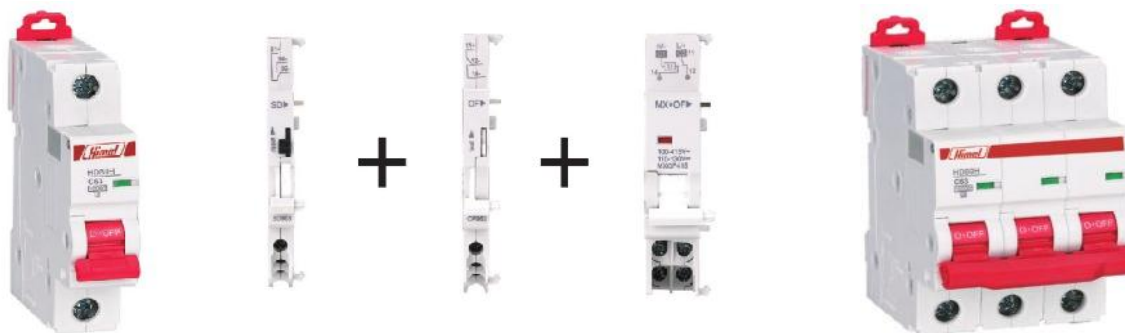
Ul. Bitoljska br. 52 Nis
Tel/fax: 018 575 209
GSM: 063 772 88 90
e-mail: trade@gvenergy.rs
web: www.gvenergy.rs



Automatski osiguraci 4.5kA HDB6L		VP cena
HDB6L1B1	HDB6 1P 1, 2, 3, 50, 63A B, C 4.5KA	243
HDB6L1B6	HDB6 1P 6A B, C 4.5KA	180
HDB6L1B10	HDB6 1P 10A B, C 4.5KA	180
HDB6L1B16	HDB6 1P 16A B, C 4.5KA	180
HDB6L1B20	HDB6 1P 20A B, C 4.5KA	180
HDB6L1B25	HDB6 1P 25A B, C 4.5KA	180
HDB6L1B32	HDB6 1P 32A B, C 4.5KA	180
HDB6L1B40	HDB6 1P 40A B, C 4.5KA	180
HDB6L3B1	HDB6 3P 1, 2, 3A B, C 4.5KA	710
HDB6L3B6	HDB6 3P 6A B, C 4.5KA	659
HDB6L3B10	HDB6 3P 10, 16, 20, 25, 32, 40A B, C 4.5KA	569
HDB6L3B50	HDB6 3P 50, 63A B, C 4.5KA	719
Pomocna oprema za HDB6		
HDB6SD	HDB6 SD	521
HDB6OF	HDB6 OF	351
HDB6MX24	HDB6 MX AC/DC 24V	1744
HDB6MX48	HDB6 MX AC/DC 24V~48V	1744
HDB6MX230	HDB6 MX AC/DC230V~400V	1744
HDB6MX110	HDB6 MX AC/DC110V~127V	1744
HDB6MX12	HDB6MX AC/DC12V	1744
HDB6MX400	HDB6MX AC 400V	1744



Automatski osiguraci 4.5kA HDB6sL		
HDB6sL1B6	HDB6sL 1P B, C - 6, 10, 16, 20, 25, 32, 40A 4.5KA	243
HDB6sL1B1	HDB6sL 1P B, C - 50, 63A 4.5KA	273
HDB6sL3B6	HDB6sL 3P B, C - 6, 10, 16, 20, 25, 32, 40A 4.5KA	749
HDB6sL3B50	HDB6sL 3P B, C - 50, 63A 4.5KA	821
Automatski osiguraci 6kA HDB6sN		
HDB6sN1B6	HDB6sN3P B, C - 6, 10, 16, 20, 25, 32, 40A 6KA	255
HDB6sN3B1	HDB6sL 3P B, C - 6, 10, 16, 20, 25, 32, 40A 6A	749
Pomocna oprema za HDB6s		
HDB6sSD	HDB6s SD	521
HDB6sOF	HDB6s OF	351
HDB6sMX24	HDB6s MX AC/DC 12-24V	1744
HDB6sMX48	HDB6s MX AC/DC 24-48V	1744
HDB6sMX130	HDB6s MX AC 130V	1744
HDB6sMX230	HDB6s MX AC230-400	1744
HDB6sMX110	HDB6s MX AC110-127V	1744



Automatski osigurac 6kA i 10kA iz serije HDB9 i oprema		
HDB9H631B10	HDB9-63 10kA 1P B, C - curve 10, 16, 20, 25, 32, 40A	437
HDB9H631B50	HDB9-63 10kA 1P B, C - curve 50, 63A	518
HDB9H633B10	HDB9-63 10kA 3P B, C - curve 10, 16, 20, 25, 32, 40A	1470
HDB9H633B50	HDB9-63 10kA 3P B, C - curve 50, 63A	1636
HDB9N631B10	HDB9-63 6kA 1P B, C - curve 10, 16, 20, 25, 32, 40A	359
HDB9N631B50	HDB9-63 6kA 1P B, C - curve 40, 50, 63A	415
HDB9N633B10	HDB9-63 6kA 3P B, C - curve 10, 16, 20, 25, 32A	1121
HDB9N633B40	HDB9-63 6kA 3P B, C - curve 40, 50, 63A	1258
HDB963MX415	HDB9-63 MX+OF AC110-415V DC110-130V	1705
HDB963OF	HDB9-63 OF	531
HDB963SD	HDB9-63 SD	584



Faza + NULA osiguraci HDB6P, 1P+N sa FID

HDB6PC16	HDB6P 4,5kA 1P+N C 16A	450
HDB6PC10	HDB6P 4,5kA 1P+N C 10A	450
HDB6PC20	HDB6P 4,5kA 1P+N C6, 10, 16, 20, 25, 32A	450
HDB6PLEC6	HDB6PLE 4.5kA 1P+N C 6, 10, 16, 20, 25, 32, 40A 30mA	998



Fidova sklopka serije HDB6VR

HDB6VR216SC	HDB6VR 2P 16A 30, 100, 300mA AC-Type	1789
HDB6VR225SC	HDB6VR 2P 25A 30, 100, 300mA AC-Type	1789
HDB6VR240SC	HDB6VR 2P 40A 30, 100, 300mA AC-Type	1789
HDB6VR263SC	HDB6VR 2P 63A 30, 100, 300mA AC-Type	1927
HDB6VR416SC	HDB6VR 4P 16A 30, 100, 300mA AC-Type	2460
HDB6VR425SC	HDB6VR 4P 25A 30, 100, 300mA AC-Type	2460
HDB6VR440SC	HDB6VR 4P 40A 30, 100, 300mA AC-Type	2460
HDB6VR463SC	HDB6VR 4P 63A 30,100,300mA AC-Type	2685
HDB6VR480SC	HDB6VR 4P 80A 30, 100, 300, 500mA AC-Type	3623
HDB6VR4100SC	HDB6VR 4P 100A 30, 100, 300, 500mA AC-Type	3623



Kontakori HDC6 serije

HDC60911B7	HDC6 9A 1NO 1NC 24, 48, 110, 230, 380V 50/60Hz	982
HDC61211B7	HDC6 12A 1NO 1NC 24, 48, 110, 230, 380V 50/60Hz	982
HDC61811B7	HDC6 18A 1NO 1NC 24, 48, 110, 230, 380V 50/60Hz	1149
HDC62511B7	HDC6 25A 1NO 1NC 24, 48, 110, 230, 380V 50/60Hz	1665
HDC63211B7	HDC6 32A 1NO 1NC 24, 48, 110, 230, 380V 50/60Hz	2231
HDC64011B7	HDC6 40A 1NO 1NC 24, 48, 110, 230, 380V 50/60Hz	4007
HDC65011B7	HDC6 50A 1NO 1NC 24, 48, 110, 230, 380V 50/60Hz	4328
HDC66511B7	HDC6 65A 1NO 1NC 24, 48, 110, 230, 380V 50/60Hz	4809
HDC68011B7	HDC6 80A 1NO 1NC 24, 48, 110, 230, 380V 50/60Hz	7052
HDC69511B7	HDC6 95A 1NO 1NC 24, 48, 110, 230, 380V 50/60Hz	6668
HDC611500F7	HDC6 115A 110, 230, 380V 50/60Hz	13518
HDC615000F7	HDC6 150A 110, 230, 380V 50/60Hz	14426
HDC618500F7	HDC6 185A 110, 230, 380V 50/60Hz	18593
HDC622500F7	HDC6 225A 110, 230, 380V 50/60Hz	18914
HDC626500F	HDC6 265A 110, 230, 380V 50/60Hz	26607
HDC633000F	HDC6 330A 110, 230, 380V 50/60Hz	36224
HDC640000F	HDC6 400A 110, 230, 380V 50/60Hz	38468
HDC650000F	HDC6 500A 110, 230, 380V 50/60Hz	55779
HDC663000F	HDC6 630A 110, 230, 380V 50/60Hz	75654



Pomoćna oprema za kontakore HDC6 serije

HFC602	HFC6-02 Bocni pomoćni kontakt 2NC, 2NO, 1NC+1NO	426
HFD602	HFD6-02 naticni pomoćni kontakt 2NC, 2NO, 1NC+1NO	157
HFD604	HFD6-04 naticni pomoćni kontakt 4NC	375
HFD613	HFD6-13 naticni pomoćni kontakt 1NO+3NC, 1NC+3NO, 2NC+2NO, 4NO	356
HFR632H	HFR6-32H mehanicka blokada	786



HFR695H	HFR6-95H mehanicka blokada	1052
HFT620	HFT6 vazdusni blok kasnjenja deHLAY 0.1-3S	1352
HFT622	HFT6 vazdusni blok kasnjenja deHLAY 0.1-30S	1352
HFT624	HFT6 vazdusni blok kasnjenja deHLAY 10-180S	1352
HFT630	HFT6 vazdusni blok kasnjenja off deHLAY 0.1-3S	1352
HFT632	HFT6 vazdusni blok kasnjenja off deHLAY 0.1-30S	1352
HFT634	HFT6 vazdusni blok kasnjenja off deHLAY 10-180S	1352
HX618B7	Spulna za HDC6-9/18A 24, 48, 110, 230, 380V 50/60Hz	446
HX632B7	Spulna za HDC6-25/32A 24, 48, 110, 230, 380V 50/60Hz	536
HX665B7	Spulna za HDC6-40/65A 24, 48, 110, 230, 380V 50/60Hz	739
HX695B7	Spulna za HDC6-80/95A 24, 48, 110, 230, 380V 50/60Hz	749



Modularni / instalacioni kontaktori HDCH8

HDCH8P16220	HDCH8P 16A 2P 2NO, 2NC, 1NO+1NC	839
HDCH8P20220	HDCH8P 20A 2P 2NO, 2NC, 1NO+1NC	839
HDCH8P25220	HDCH8P 25A 2P 2NO, 2NC, 1NO+1NC	839
HDCH8P32220	HDCH8P 32A 2P 2NO, 2NC, 1NO+1NC	1808
HDCH8P40220	HDCH8P 40A 2P 2NO, 2NC, 1NO+1NC	1808
HDCH8P63220	HDCH8P 63A 2P 2NO, 2NC, 1NO+1NC	1808
HDCH8P16440	HDCH8P 16A 4P 4NO, 4NC, 2NO+2NC, 3NO+1NC,	1808
HDCH8P20440	HDCH8P 20A 4P 4NO, 4NC, 2NO+2NC, 3NO+1NC,	1808
HDCH8P25440	HDCH8P 25A 4P 4NO, 4NC, 2NO+2NC, 3NO+1NC,	1808
HDCH8P32440	HDCH8P 32A 4P 4NO, 4NC, 2NO+2NC, 3NO+1NC,	1808
HDCH8P40440	HDCH8P 40A 4P 4NO, 4NC, 2NO+2NC, 3NO+1NC,	2667
HDCH8P63440	HDCH8P 63A 4P 4NO, 4NC, 2NO+2NC, 3NO+1NC,	2667



Bimetalni releji za HDC6 kontaktore serija HDR6		
HDR618P15	HDR6-18 0.10-0.15A	1062
HDR618P18	HDR6-18 0.12-0.18A	1062
HDR618P25	HDR6-18 0.18-0.25A	1062
HDR618P36	HDR6-18 0.25-0.36A	1062
HDR618P5	HDR6-18 0.35-0.50A	1062
HDR618P7	HDR6-18 0.50-0.70A	1062
HDR618P9	HDR6-18 0.63-0.90A	1062
HDR6181P2	HDR6-18 0.90-1.20A	1062
HDR6181P8	HDR6-18 1.20-1.80A	1062
HDR6182P5	HDR6-18 1.80-2.50A	1062
HDR6183P6	HDR6-18 2.50-3.60A	1062
HDR6184P8	HDR6-18 3.50-4.80A	1062
HDR6186P3	HDR6-18 4.50-6.30A	1062
HDR6187	HDR6-18 5-7A	1062
HDR6189	HDR6-18 6.3-9A	1062
HDR61812	HDR6-18 9-12A	1062
HDR61815	HDR6-18 11-15A	1142
HDR61818	HDR6-18 14-18A	1142
HDR6329	HDR6-32 6.3-9A	1142
HDR63212	HDR6-32 9-12A	1568
HDR63218	HDR6-32 12-18A	1568
HDR63225	HDR6-32 18-25A	1568
HDR63232	HDR6-32 23-32A	1735
HDR69525	HDR6-95 18-25A	2355
HDR69532	HDR6-95 23-32A	2604
HDR69540	HDR6-95 30-40A	2604
HDR69550	HDR6-95 37-50A	2604
HDR69565	HDR6-95 48-65A	2604
HDR69570	HDR6-95 55-70A	2604
HDR69580	HDR6-95 63-80A	2604
HDR69595	HDR6-95 80-95A	2604
HDR6185135	HDR6-185 105-135A	8658
HDR6185150	HDR6-185 120-150A	8668
HDR6185160	HDR6-185 130-160A	8914
HDR6185185	HDR6-185 150-185A	8854
HDR618565	HDR6-185 48-65A	8308
HDR618570	HDR6-185 55-70A	8325
HDR618580	HDR6-185 63-80A	8368



HDR618595	HDR6-185 75-95A	8398
HDR6185115	HDR6-185 90-115A	8455
HDR6630200F	HDR6-630/F 145-200A	11988
HDR6630250F	HDR6-630/F 180-250A	14985
HDR6630320F	HDR6-630/F 230-320A	14985
HDR6630400F	HDR6-630/F 290-400A	14985
HDR6630480F	HDR6-630/F 350-480A	14985
HDR6630630F	HDR6-630/F 460-630A	14985
HDR618J	Nosac bimetalnog releja HDR6-18	195
HDR632J	Nosac bimetalnog releja HDR6-32	270
HDR695J	Nosac bimetalnog releja HDR6-95	625



Motorno zastini prekidaci I pomocna oprema HDP6

HDP632P16	HDP6-32/00 0.1 0.16A	2744
HDP632P25	HDP6-32/00 0.16 0.25A	2744
HDP632P4	HDP6-32/00 0.25 0.4A	2744
HDP632P63	HDP6-32/00 0.4 0.63A	2744
HDP6321	HDP6-32/00 0.63 1A	2744
HDP6321P6	HDP6-32/00 1 1.6A	2744
HDP6322P5	HDP6-32/00 1.6 2.5A	2511
HDP6324	HDP6-32/00 2.5 4A	2331
HDP6326P3	HDP6-32/00 4 6.3A	2664
HDP63210	HDP6-32/00 6 10A	2664
HDP63214	HDP6-32/00 9 14A	2997
HDP63218	HDP6-32/00 13 18A	2997
HDP63223	HDP6-32/00 17 23A	2997
HDP63225	HDP6-32/00 20 25A	2997
HDP63232	HDP6-32/00 24 32A	2997
HAU220	HDP6 Podnaponski relej 220~240V	1032
HAU380	HDP6 Podnaponski relej 380~400V	1032
HAS220	HDP6 Naponski okidac 220~240V	979
HAS380	HDP6 Naponski okidac 380~400V	979
HAE20	HDP6 Dopunski kontakt - gornji (ceoni) HAE 2NO	278
HAE11	HDP6 Dopunski kontakt - gornji (ceoni) HAE 1NO+1NC	278
HAN20	HDP6 Dopunski kontakt - bocni HAN 2NO	813
HAN11	HDP6 Dopunski kontakt - bocni HAN 1NO+1NC	813
HDP632MC	Kuciste za MZP HDP6-32 MC IP55	830



Magnetni starter - za direktno startovanje(kont.+bim.+tast. + kuciste) HDS2		
HDS213B1P6N7	HDS2-13 1.6A 230V 50/60HZ	3340
HDS213B1P6Q7	HDS2-13 1.6A 380V 50/60HZ	3340
HDS213B2P5N7	HDS2-13 2.5A 230V 50/60HZ	3340
HDS213B2P5Q7	HDS2-13 2.5A 380V 50/60HZ	3340
HDS213B04N7	HDS2-13 4A 230V 50/60HZ	3340
HDS213B04Q7	HDS2-13 4A 380V 50/60HZ	3340
HDS213B06N7	HDS2-13 6A 230V 50/60HZ	3340
HDS213B06Q7	HDS2-13 6A 380V 50/60HZ	3340
HDS213B08N7	HDS2-13 8A 230V 50/60HZ	3340
HDS213B08Q7	HDS2-13 8A 380V 50/60HZ	3340
HDS213B10N7	HDS2-13 10A 230V 50/60HZ	3340
HDS213B10Q7	HDS2-13 10A 380V 50/60HZ	3340
HDS213B13N7	HDS2-13 13A 230V 50/60HZ	3643
HDS213B13Q7	HDS2-13 13A 380V 50/60HZ	3643
HDS225B18N7	HDS2-25 18A 230V 50/60HZ	4425
HDS225B18Q7	HDS2-25 18A 380V 50/60HZ	4425
HDS225B25N7	HDS2-25 25A 230V 50/60HZ	4425
HDS225B25Q7	HDS2-25 25A 380V 50/60HZ	4425
HDS295B40N7	HDS2-95 40A 230V 50/60HZ	10896
HDS295B40Q7	HDS2-95 40A 380V 50/60HZ	10899
HDS295B50N7	HDS2-95 50A 230V 50/60HZ	11285
HDS295B50Q7	HDS2-95 50A 380V 50/60HZ	11285
HDS295B65N7	HDS2-95 65A 230V 50/60HZ	12048
HDS295B65Q7	HDS2-95 65A 380V 50/60HZ	12048
HDS295B80N7	HDS2-95 80A 230V 50/60HZ	15254
HDS295B80Q7	HDS2-95 80A 380V 50/60HZ	15254
HDS295B93N7	HDS2-95 93A 230V 50/60HZ	16114
HDS295B93Q7	HDS2-95 93A 380V 50/60HZ	16114



Minijaturni interface PT releji i postolja HDZ8P

HDZ8P052LM1	Minijaturni relej HDZ8P 5A 2P LED 220V AC	336
HDZ8P052LB1	Minijaturni relej HDZ8P 5A 2P LED 24V AC	320
HDZ8P052LBZ1	Minijaturni relej HDZ8P 5A 2P LED 24V DC	320
HDZ8P034LM1	Minijaturni relej HDZ8P 3A 4P LED 220V AC	366
HDZ8P034LB1	Minijaturni relej HDZ8P 3A 4P LED 24V AC	366
HDZ8P034LBZ1	Minijaturni relej HDZ8P 3A 4P LED 24V DC	366
HDZ8PPYF11AXXKH	5A 3P Podnozje za HDZ8P53+ Jump ring	186
HDZ8PPYF08AXXKH	5A 2P Podnozje za HDZ8P52 + Jump ring	186
HDZ8PPYF14AXXKH	5A 4P Podnozje za HDZ8P034+ Jump ring	186



Vremenski releji, relej asimertije faze HJSZ, HXJ

HJSZ3AA240	Vremenski relej HJSZ3A-A: 0.05-0.5s/5s/30s/3M AC240V	1195
HJSZ3AB240	Vremenski relej HJSZ3A-B: 0.1-1s/10s/60s/6M AC240V	1195
HJSZ3AC240	Vremenski relej HJSZ3A-C: 0.5-5s/50s/5M/30M AC240V	1195
HJSZ3AD240	Vremenski relej HJSZ3A-D: 1-10s/100s/10M/60M AC240V	1195
HXJ9380	HXJ9-380V Rele asimetrije faze (fazni relej, DAF)	2600
HXJ9400	HXJ9-400V Rele asimetrije faze (fazni relej, DAF)	2600

Impulsni/ bistabilni rele HDTL

HDTL1716N5	Bistabilni relej HDTL17 16A 230V 50HZ	1805
------------	---------------------------------------	-------------

Tajmeri - modularni

HDRT8480B	HDRT8 Power deHLAY 30-480s	1465
HDRT810B	HDRT8 Power deHLAY 0.1-10s	1465
HDRT8120B	HDRT8 Power deHLAY 10-120s	1465
HDRT8480A	HDRT8 Off deHLAY 30-480s	1578



Modularni teretni prekidaci HDB6IS

HDB6IS1100	Teretni prekidac - modularni 1P 100A	366
HDB6IS1125	Teretni prekidac - modularni 1P 125A	366
HDB6IS120	Teretni prekidac - modularni 1P 20, 32, 63A	243
HDB6IS3100	Teretni prekidac - modularni 3P 100, 125A	1126
HDB6IS320	Teretni prekidac - modularni 3P 20, 32, 63A	749



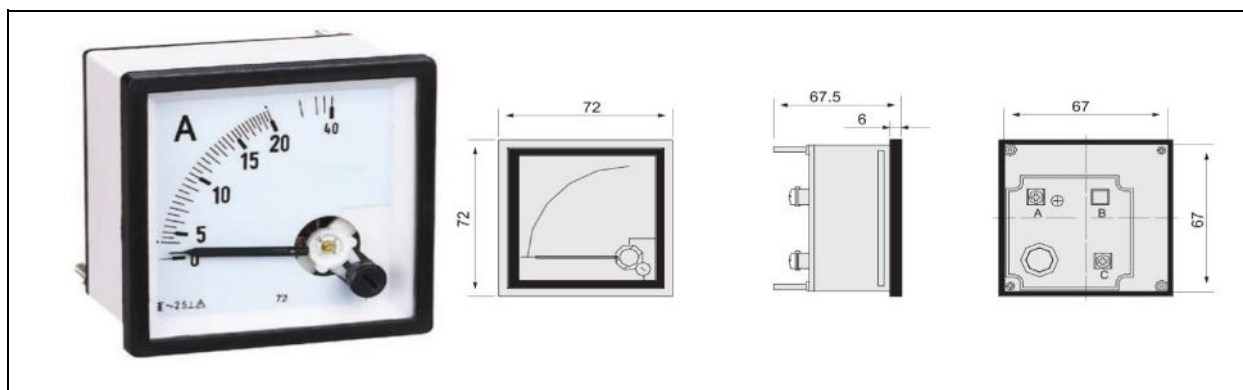
Odvodnici prenapona HDY1

HDY1201275	HDY1-20/1P 275V I _{max} = 0KA	1721
HDY1202275	HDY1-20/2P 275V I _{max} =20KA	3488
HDY1204275	HDY1-20/4P 275V I _{max} =20KA	6976
HDY1205275	HDY1-20/1P+N 275V I _{max} =20KA	3747
HDY1401275	HDY1-40/1P 275V I _{max} = 0KA	1721
HDY1404275	HDY1-40/4P 275V I _{max} =40KA	6976
HDY1405275	HDY1-40/1P+N 275V I _{max} =40KA	3747
HDY1406275	HDY1-40/3P+N 275V I _{max} =40KA	7498
HDY1405385	HDY1-40/1P+N 385V I _{max} =40KA	3747
HDY1406385	HDY1-40/3P+N 385V I _{max} =40KA	7498
HDY1205420	HDY1-20/1P+N 420V I _{max} =20KA	3747
HDY1206420	HDY1-20/3P+N 420V I _{max} =20KA	7206
HDY1405420	HDY1-40/1P+N 420V I _{max} =40KA	3747
HDY1406420	HDY1-40/3P+N 420V I _{max} =40KA	7498
HDY1603420	HDY1-60/3P 420V I _{max} =60KA	8825
HDY1604420	HDY1-60/4P 420V I _{max} =60KA	11794
HDY1606420	HDY1-60/3P+N 420V I _{max} =60KA	10665



Strujni merni transformatori HLMK serije

HLMKP63030	HLMK-0.66-30 30/5 class 0.5	769
HLMKP65030	HLMK-0.66-30 50/5 class 0.5	769
HLMKP67530	HLMK-0.66-30 75/5 class 0.5	769
HLMKP610030	HLMK-0.66-30 100/5 class 0.5	769
HLMKP615030	HLMK-0.66-30 150/5 class 0.5	769
HLMKP610030	HLMK-0.66-30 100/5 class 0.5	769
HLMKP620030	HLMK-0.66-30 200/5 class 0.5	769
HLMKP625030	HLMK-0.66-30 250/5 class 0.5	796
HLMKP630030	HLMK-0.66-30 300/5 class 0.5	806
HLMKP625040	HLMK-0.66-40 250/5 class 0.5	979
HLMKP630040	HLMK-0.66-40 300/5 class 0.5	979
HLMKP640040	HLMK-0.66-40 400/5 class 0.5	979
HLMKP650040	HLMK-0.66-40 500/5 class 0.5	1179
HLMKP630050	HLMK-0.66-50 300/5 class 0.5	1432
HLMKP640050	HLMK-0.66-50 400/5 class 0.5	1379
HLMKP650050	HLMK-0.66-50 500/5 class 0.5	1252
HLMKP660050	HLMK-0.66-50 600/5 class 0.5	1399
HLMKP675050	HLMK-0.66-50 750/5 class 0.5	1548
HLMKP680050	HLMK-0.66-50 800/5 class 0.5	1548
HLMKP6100050	HLMK-0.66-50 1000/5 class 0.5	1705
HLMKP650060	HLMK-0.66-60 500/5 class 0.5	1465
HLMKP660060	HLMK-0.66-60 600/5 class 0.5	1442
HLMKP675060	HLMK-0.66-60 750/5 class 0.5	1588
HLMKP680060	HLMK-0.66-60 800/5 class 0.5	1588
HLMKP6100060	HLMK-0.66-60 1000/5 class 0.5	1735
HLMKP6120060	HLMK-0.66-60 1200/5 class 0.5	1788
HLMKP6150060	HLMK-0.66-60 1500/5 class 0.5	1998
HLMKP660080	HLMK-0.66-80 600/5 class 0.5	1871
HLMKP675080	HLMK-0.66-80 750/5 class 0.5	1935
HLMKP680080	HLMK-0.66-80 800/5 class 0.5	1888
HLMKP6100080	HLMK-0.66-80 1000/5 class 0.5	1998
HLMKP6120080	HLMK-0.66-80 1200/5 class 0.5	2088
HLMKP6150080	HLMK-0.66-80 1500/5 class 0.5	2088
HLMKP6200080	HLMK-0.66-80 2000/5 class 0.5	2574
HLMKP6250080	HLMK-0.66-80 2500/5 class 0.5	2934



Ampermetri , voltmetri ugradni 72x72 I 96x96 H72 H96

H72TA30	Ampermetar H72T-30/5A	998
H72TA40	Ampermetar H72T-40/5A	998
H72TA50	Ampermetar H72T-50/5A	998
H72TA60	Ampermetar H72T-60/5A	998
H72TA75	Ampermetar H72T-75/5A	998
H72TA80	Ampermetar H72T-80/5A	998
H72TA100	Ampermetar H72T-100/5A	998
H72TA150	Ampermetar H72T-150/5A	998
H72TA160	Ampermetar H72T-160/5A	998
H72TA200	Ampermetar H72T-200/5A	998
H72TA250	Ampermetar H72T-250/5A	998
H72TA300	Ampermetar H72T-300/5A	998
H72TA400	Ampermetar H72T-400/5A	998
H72TA600	Ampermetar H72T-600/5A	998
H72TA800	Ampermetar H72T-800/5A	998
H72TA1000	Ampermetar H72T-1000/5A	998
H72TA1600	Ampermetar H72T-1600/5A	998
H72TA5000	Ampermetar H72T-5000/5A	998
H72TA10000	Ampermetar H72T-10000/5A	998
H72TA5A	Ampermetar H72T-5A	998
H72TA15A	Ampermetar H72T-15A	1019
H72TA20A	Ampermetar H72T-20A	1019
H72TA25A	Ampermetar H72T-25A	1019
H72TA30A	Ampermetar H72T-30A	1089
H72TA40A	Ampermetar H72T-40A	1089
H72TA50A	Ampermetar H72T-50A	1265
H72TA60A	Ampermetar H72T-60A	1265
H72TA75A	Ampermetar H72T-75A	1319
H72TA80A	Ampermetar H72T-80A	1319
H72TA100A	Ampermetar H72T-100A	1319
H72TV300	Voltmetar H72T-300V	1089
H72TV500	Voltmetar H72T-500V	1089
H72TV600	Voltmetar H72T-600V	1109
H72THZ01200V	Frekfenmetar H72T-HZ 200V 45-55HZ	1801



Nozasti (Visokoucinski) osiguraci NH00 NH1 NH2 NH3 I postolja HRT16

HRT16002	Nozasti osigurac- 00 2A	283
HRT16004	Nozasti osigurac- 00 4A	283
HRT16006	Nozasti osigurac- 00 6A	283
HRT16008	Nozasti osigurac- 00 8A	283
HRT160010	Nozasti osigurac- 00 10A	283
HRT160012	Nozasti osigurac- 00 12A	283
HRT160016	Nozasti osigurac- 00 16A	283
HRT160020	Nozasti osigurac- 00 20A	283
HRT160025	Nozasti osigurac- 00 25A	283
HRT160032	Nozasti osigurac- 00 32A	283
HRT160040	Nozasti osigurac- 00 40A	283
HRT160050	Nozasti osigurac- 00 50A	283
HRT160063	Nozasti osigurac- 00 63A	283
HRT160080	Nozasti osigurac- 00 80A	283
HRT1600100	Nozasti osigurac- 00 100A	283
HRT1600125	Nozasti osigurac- 00 125A	283
HRT1600160	Nozasti osigurac- 00 160A	283
HRT1600ZS	Postolje nozastog osiguraca (resin)	353



Cilindricni osiguraci HRT18 i podnozja

HRT1810382	Cilindricni osigurac 10x38 - 2, 4, 6, 8, 10, 12, 16, 20, 25, 32A	40
HRT1832ZB	Nosac osiguraca bez indikacijom HRT18-32X/1P	151
HRT1832Z3B	Nosac osiguraca bez indikacijom HRT18-32X/3P	463
HRT1832ZXB	Nosac osiguraca sa indikacijom HRT18-32X/1P	160
HRT1832Z3XB	Nosac osiguraca sa indikacijom HRT18-32X/3P	495



M22 oprema , tasteri prekidaci , cam prekidaci , sve stop/emerg prekidaci....HLAY5		
HLAY5BA21	Taster BA21 NO Black	170
HLAY5BA22	Taster BA22 NC Black	170
HLAY5BA25	Taster BA25 NO+NC Black	220
HLAY5BA31	Taster BA31 NO Green	170
HLAY5BA33	Taster BA33 2NO Yellow	220
HLAY5BA42	Taster BA42 NC Red	170
HLAY5BA44	Taster BA44 2NC Red	220
HLAY5BA55	Taster BA55 NO+NC Yellow	220
HLAY5BA61	Taster BA61 NO Blue	170
HLAY5BC31	Taster pecurka BC31 ϕ 40 1NO Green	195
HLAY5BC32	Taster pecurka BC32 ϕ 40 1NC Green	195
HLAY5BC35	Taster pecurka BC35 ϕ 40 1NO+1NC Green	255
HLAY5BC41	Taster pecurka BC41 ϕ 40 1NO Red	195
HLAY5BC42	Taster pecurka BC42 ϕ 40 1NC Red	195
HLAY5BC45	Taster pecurka BC45 ϕ 40 1NO+1NC Red	255
HLAY5BD21	Obrtni prekidac BD21 NO 2 pozicije sa zadrskom	195
HLAY5BD25	Obrtni prekidac BD25 NO+NC 2 pozicije	245
HLAY5BD33	Obrtni prekidac BD33 2NO 3 pozicije sa zadrskom	245
HLAY5BD41	Obrtni prekidac BD41 NO 2 pozicije reset	195
HLAY5BD53	Obrtni prekidac BD53 2NO 3 pozicije reset	245
HLAY5BE101	Pomocni kontakt BE 1NO	77
HLAY5BE102	Pomocni kontakt BE 1NC	77
HLAY5BG21	Obrtni prekidac BG21 NO 2 pozicije sa kljucem	310
HLAY5BG25	Obrtni prekidac BG25 NO+NC 2 pozicije sa kljucem	355
HLAY5BG33	Obrtni prekidac BG332 NO 3 pozicije sa kljucem	355
HLAY5BG45	Obrtni prekidac BG45 1NO+1NC 2 pozicije sa kljucem reset	355
HLAY5BJ21	Obrtni prekidac BJ21 1NO 2 pozicije	200
HLAY5BJ33	Obrtni prekidac BJ33 2NO 3 pozicije	255
HLAY5BL8325	Taster start-stop BL8325 1NO+1NC Double Flat Button	348
HLAY5BL8425	Prekidac start-stop BL8425 1NO+1NC Double Flat Button	348
HLAY5BS542	Taster PANIC BS542 ϕ 40 1NC Red	298
HLAY5BS545	Taster PANIC BS545 NO+NC Red	345
HLAY5BS642	Taster PANIC BS642 ϕ 60 1NC Red	345
HLAY5BW33M1L	Taster sa LED indikatorom BW3361 LED 220V 1NO Green	330
HLAY5BW33M3L	Taster sa LED indikatorom BW3363 LED 220V 2NO Green	395
HLAY5BW34M2L	Taster sa LED indikatorom BW3462 LED 220V 1NC Red	330
HLAY5BW84B5L	Taster start-stop sa LED ind. BW84B5 LED 24V NO+NC Red	478



HLAY5BW84M5L	Taster start-stop sa LED ind. BW84M5 LED 220V NO+NC Red	478
HLAY5EA21	Taster EA21 NO Black	115
HLAY5EA22	Taster EA22 NC Black	115
HLAY5EA25	Taster EA25 1NO+1NC Black	160
HLAY5EA31	Taster EA31 NO Green	115
HLAY5EA33	Taster EA33 2NO Green	160
HLAY5EA42	Taster EA42 NC Red	115
HLAY5EA44	Taster EA44 2NC Red	160
HLAY5EA61	Taster EA61 NO Blue	115
HLAY5EC42	Taster pecurka EC42 ϕ 40 1NC Red	155
HLAY5EC45	Taster pecurka EC45 ϕ 40 1NO+1NC Red	215
HLAY5ED21	Obrtni prekidac ED21 1NO 2 pozicije	125
HLAY5ED25	Obrtni prekidac ED25 1NO+1NC 2 pozicije	196
HLAY5ED33	Obrtni prekidac ED33 2NO 3 pozicije	196
HLAY5ED45	Obrtni prekidac ED45 NO+NC 2 pozicije reset	196
HLAY5ED53	Obrtni prekidac ED532 NO 3 pozicije reset	196
HLAY5EJ21	Obrtni prekidac EJ21 NO 2 pozicije	125
HLAY5EJ25	Obrtni prekidac EJ25 NO+NC 2 pozicije	196
HLAY5EJ33	Obrtni prekidac EJ332 NO 3 pozicije	196
HLAY5EJ45	Obrtni prekidac EJ45 NO+NC 2 pozicije reset	196
HLAY5EJ53	Obrtni prekidac EJ53 2 NO 3 pozicije reset	196
HLAY5ES542	Taster PANIC ES541 ϕ 40 1NO Red	185
HLAY5ES545	Taster PANIC ES545 ϕ 40 1NO+1NC Red	215
HLAY5EW33M1L	Taster sa LED indikatorom EW3361 LED 220V 1NO Green	220
HLAY5EW33M3L	Taster sa LED indikatorom EW3363 LED 220V 2NO Green	270
HLAY5EW33M5L	Taster sa LED indikatorom EW3365 LED 220V 1NO+1NC Green	270
HLAY5EW34M2L	Taster start-stop sa LED ind. EW3462 LED 220V 1NC Red	220
HLAY5EW34M5L	Taster start-stop sa LED ind. EW3465 LED 220V 1NO+1NC Red	270



M22 oprema , indikatori HLD11

HLD1122D41M8	LED indikator AC220VPure Blue	155
HLD1122D41M7	LED indikator AC220VPure White	213
HLD1122D41M5	LED indikator AC220VYellow	155
HLD1122D41M4	LED indikator AC220VRed	155
HLD1122D41M3	LED indikator AC220V Pure Green	155
HLD1122D21B8	LED indikator AC-DC 24V Pure Blue	203
HLD1122D21B5	LED indikator AC-DC 24V Yellow	155
HLD1122D21B4	LED indikator AC-DC 24V Red	155
HLD1122D21B3	LED indikator AC-DC 24V Pure Green	155



HLD1122A41M8	LED indikator AC220VPure Blue	203
HLD1122A41M7	LED indikator AC220VPure White	213
HLD1122A41M5	LED indikator AC220VYellow	155
HLD1122A41M4	LED indikator AC220VRed	155
HLD1122A41M3	LED indikator AC220VPure Green	155
HLD1122A21M8	LED indikator AC-DC 220V Pure Blue	203
HLD1122A21M7	LED indikator AC-DC 220V Pure White	213
HLD1122A21M5	LED indikator AC-DC 220V Yellow	155
HLD1122A21M4	LED indikator AC-DC 220V Red	155
HLD1122A21M3	LED indikator AC-DC 220V Pure Green	155
HLD1122A21B5	LED indikator AC-DC 24V Yellow	155
HLD1122A21B4	LED indikator AC-DC 24V Red	155



Industrijski utikaci UKO-UTO

HDPM316IP441	Ind.ut. UKO-UTO CEE-013L-4 P3 16 IP44	323
HDPM332IP441	Ind.ut. UKO-UTO CEE-023L-4 P3 32 IP44	509
HDPM316IP44	Ind.ut. UKO-UTO CEE-013L P3 16 IP44	323
HDPM332IP44	Ind.ut. UKO-UTO CEE-023L P3 32 IP44	509
HDPM416IP44	Ind.ut. UKO-UTO CEE-014L P4 16 IP44	376
HDPM432IP44	Ind.ut. UKO-UTO CEE-024L P4 32 IP44	583
HDPM516IP44	Ind.ut. UKO-UTO CEE-015L P5 16 IP44	463
HDPM532IP44	Ind.ut. UKO-UTO CEE-025L P5 32 IP44	686
HDPM363IP67	Ind.ut. UKO-UTO CEE-033 S3 63 IP67	1905
HDPM3125IP67	Ind.ut. UKO-UTO CEE-043 S3 125 IP67	7372
HDPM463IP67	Ind.ut. UKO-UTO CEE-034 S4 63 IP67	2414
HDPM4125IP67	Ind.ut. UKO-UTO CEE-044 S4 125 IP67	7722
HDPM563IP67	Ind.ut. UKO-UTO CEE-035 S5 63 IP67	2341
HDPM5125IP67	Ind.ut. UKO-UTO CEE-045 S5 125 IP67	8018

Industrijske uticnice UKO-UTO

HDSF316IP44	Ind.ut. UKO-UTO CEE-023L-4 P3 16 IP44	
HDSF332IP44	Ind.ut. UKO-UTO CEE-023L-4 P3 32 IP44	
HDSF416IP44	Ind.ut. UKO-UTO CEE-023L-4 P2 16 IP44	
HDSF432IP44	Ind.ut. UKO-UTO CEE-023L-4 P2 32 IP44	
HDSF516IP44	ind.ut.UKO-UTO CEE-023L-4 P4 16 IP44	
HDSF532IP44	ind.ut.UKO-UTO CEE-023L-4 P4 32 IP44	
HDSM316IP44	Ind.ut. UKO-UTO CEE-213L S3 16 IP44	
HDSM332IP44	Ind.ut. UKO-UTO CEE-223L-4 S3 32 IP44	
HDSM416IP44	Ind.ut. UKO-UTO CEE-214L S4 16 IP44	



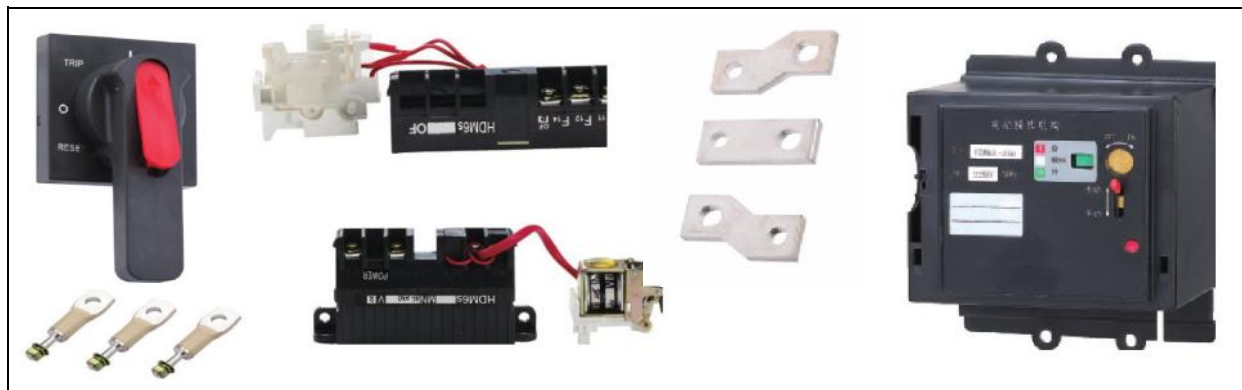
HDSM432IP44	Ind.ut. UKO-UTO CEE-224L S4 32 IP44	
HDSM516IP44	Ind.ut. UKO-UTO CEE-215L S5 16 IP44	
HDSM532IP44	Ind.ut. UKO-UTO CEE-225L S5 32 IP44	
		
Montazni materijal		
HTB0100609W4Y	Sabirnica - nulta klema 6X9 4 P Yellow	90
HTB0100609W6Y	Sabirnica - nulta klema 6X9 6 P Yellow	110
HTB0100609W8Y	Sabirnica - nulta klema 6X9 8 P Yellow	127
HTB0100609W10Y	Sabirnica - nulta klema 6X9 10 P Yellow	147
HTB0100609W12Y	Sabirnica - nulta klema 6X9 12 P Yellow	173
HTB0100609W14Y	Sabirnica - nulta klema 6X9 14 P Yellow	190
HTB0100609W16Y	Sabirnica - nulta klema 6X9 16 P Yellow	213
HTB0100812W4Y	Sabirnica - nulta klema 8X12 4 P Yellow	140
HTB0100812W6Y	Sabirnica - nulta klema 8X12 6 P Yellow	173
HTB0100812W8Y	Sabirnica - nulta klema 8X12 8 P Yellow	213
HTB0100812W10Y	Sabirnica - nulta klema 8X12 10 P Yellow	246
HTB0100812W12Y	Sabirnica - nulta klema 8X12 12 P Yellow	283
HTB0100812W14Y	Sabirnica - nulta klema 8X12 14 P Yellow	320
HTB0100812W16Y	Sabirnica - nulta klema 8X12 16 P Yellow	350
HTB0100609W4B	Sabirnica - nulta klema 6X9 4 P Blue	90
HTB0100609W6B	Sabirnica - nulta klema 6X9 6 P Blue	110
HTB0100609W8B	Sabirnica - nulta klema 6X9 8 P Blue	127
HTB0100609W10B	Sabirnica - nulta klema 6X9 10 P Blue	147
HTB0100609W12B	Sabirnica - nulta klema 6X9 12 P Blue	173
HTB0100609W14B	Sabirnica - nulta klema 6X9 14 P Blue	190
HTB0100609W16B	Sabirnica - nulta klema 6X9 16 P Blue	213
HTB0100812W4B	Sabirnica - nulta klema 8X12 4 P Blue	140
HTB0100812W6B	Sabirnica - nulta klema 8X12 6 P Blue	173
HTB0100812W8B	Sabirnica - nulta klema 8X12 8 P Blue	213
HTB0100812W10B	Sabirnica - nulta klema 8X12 10 P Blue	246
HTB0100812W12B	Sabirnica - nulta klema 8X12 12 P Blue	283
HTB0100812W14B	Sabirnica - nulta klema 8X12 14 P Blue	320
HTB0100812W16B	Sabirnica - nulta klema 8X12 16 P Blue	350



Ormari		
HDPZ50PR4IP30NF	Spratna tabla 4 modula IP30 ugradna	508
HDPZ50PR6IP30NF	Spratna tabla 6 modula IP30 ugradna	557
HDPZ50PR8IP30NF	Spratna tabla 8 modula IP30 ugradna	686
HDPZ50PR12IP30NF	Spratna tabla 12 modula IP30 ugradna	921
HDPZ50PR15IP30NF	Spratna tabla 15 modula IP30 ugradna	1126
HDPZ50PR18IP30NF	Spratna tabla 18 modula IP30 ugradna	1304
HDPZ50PR24IP30NF	Spratna tabla 24 modula IP30 ugradna	2656
HDPZ50PR36IP30NF	Spratna tabla 36 modula IP30 ugradna	3844
HDPZ50PM4IP30NF	Spratna tabla 4 modula IP30 nadgradna	508
HDPZ50PM6IP30NF	Spratna tabla 6 modula IP30 nadgradna	557
HDPZ50PM8IP30NF	Spratna tabla 8 modula IP30 nadgradna	686
HDPZ50PM12IP30NF	Spratna tabla 12 modula IP30 nadgradna	921
HDPZ50PM15IP30NF	Spratna tabla 15 modula IP30 nadgradna	1126
HDPZ50PM18IP30NF	Spratna tabla 18 modula IP30 nadgradna	1304
HDPZ50PM24IP30NF	Spratna tabla 24 modula IP30 nadgradna	2656
HDPZ50PM36IP30NF	Spratna tabla 36 modula IP30 nadgradna	3844
HJXF252014B	Metalni ormar HJXF-250*200*140 IP43 ojacan	2044
HJXF302514B	Metalni ormar HJXF-300*250*140 IP43 ojacan	2600
HJXF302518B	Metalni ormar HJXF-300*250*180 IP43 ojacan	2907
HJXF303014B	Metalni ormar HJXF-300*300*140 IP43 ojacan	2975
HJXF303018B	Metalni ormar HJXF-300*300*180 IP43 ojacan	3137
HJXF403014B	Metalni ormar HJXF-400*300*140 IP43 ojacan	3581
HJXF403020B	Metalni ormar HJXF-400*300*200 IP43 ojacan	3844
HJXF504020B	Metalni ormar HJXF-500*400*200 IP43 ojacan	5729
HJXF504025B	Metalni ormar HJXF-500*400*250 IP43 ojacan	6136
HJXF604014B	Metalni ormar HJXF-500*400*250 IP43 ojacan	6035
HJXF604020B	Metalni ormar HJXF-600*400*200 IP43 ojacan	6874
HJXF604025B	Metalni ormar HJXF-600*400*250 IP43 ojacan	7149
HJXF605020B	Metalni ormar HJXF-600*500*200 IP43 ojacan	7874
HJXF605025B	Metalni ormar HJXF-600*500*250 IP43 ojacan	8281
HJXF705020B	Metalni ormar HJXF-700*500*200 IP43 ojacan	9836
HJXF705025B	Metalni ormar HJXF-700*500*250 IP43 ojacan	10139
HJXF806020B	Metalni ormar HJXF-800*600*200 IP43 ojacan	12685
HJXF806025B	Metalni ormar HJXF-800*600*250 IP43 ojacan	13389
HJXF1008020B	Metalni ormar HJXF-1000*800*200 IP43 ojacan	19348
HJXF1008025B	Metalni ormar HJXF-1000*800*250 IP43 ojacan	19987
HJXF1008030B	Metalni ormar HJXF-1000*800*300 IP43 ojacan	20856



Kompaktni prekidaci serije HDM6 - fiksni		
HDM6S063L0633XXXF	HDM6s-63L 3P 10~63A Fiksni 40 (For distribution power)	4233
HDM6S063M0203XXXF	HDM6s-63M 3P 10~63A Fiksni 40 (For distribution power)	4242
HDM6S063S0633XXXF	HDM6s-63S 3P 10~63A Fiksni 40 Icu=lcs For distribution power	4106
HDM6S063T0633XXXF	HDM6s-63T 3P 10~63A Fiksni 40 Icu=lcs For distribution power	4379
HDM6S100L0803XXXF	HDM6s-100L 3P 16~100A Fiksni 40 (For distribution power)	5468
HDM6S100S0803XXXF	HDM6s-100S 3P 16~100A Fiksni 40 Icu=lcs	5335
HDM6S250L1253XXXF	HDM6s-250L 3P 100~250A Fiksni 40 (For distribution power)	9237
HDM6S250S1003XXXF	HDM6s-250S 3P 100~250A Fiksni 40 Icu=lcs	8654
HDM6S400L2003XXXF	HDM6s-400L 3P 200~400A Fiksni 40 (For distribution power)	15301
HDM6S400S4003XXXF	HDM6s-400S 3P 200~400A Fiksni 40 Icu=lcs	15135
HDM6S630S6303XXXF	HDM6s-630S 3P 400~630A Fiksni 40 Icu=lcs	24452
HDM6S800L8003XXXF	HDM6s-800L 3P 400~800A Fiksni 40 (For distribution power)	32077
HDM6S800M8003XXXF	HDM6s-800M 3P 400~800A Fiksni 40 (For distribution power)	34888
HDM6S800S8003XXXF	HDM6s-800S 3P 400~800A Fiksni 40 Icu=lcs	31355
HDM6S800T8003XXXF	HDM6s-800T 3P 400~800A Fiksni 40 Icu=lcs	32953
Kompaktni prekidaci serije HDM6 - podesavajuci		
HDM6S100M0163XXX3	HDM6s-100M 3P 16~100A podesavajuci 40 (For distribution power)	6024
HDM6S100T1003XXX3	HDM6s-100T 3P 16~100A podesavajuci 40 Icu=lcs	5821
HDM6S250M2503XXX3	HDM6s-250M 3P 125~250A podesavajuci 40 (For distribution power)	10489
HDM6S250T2503XXX3	HDM6s-250T 3P 125~250A podesavajuci 40 Icu=lcs	9477
HDM6S400M2503XXX3	HDM6s-400M 3P 250~400A podesavajuci 40 (For distribution power)	19304
HDM6S400T4003XXX3	HDM6s-400T 3P 250~400A podesavajuci 40 Icu=lcs	16020
HDM6S630M5003XXX3	HDM6s-630M 3P 500~630A podesavajuci 40 (For distribution power)	26673
HDM6S630T5003XXX3	HDM6s-630T 3P 500~630A podesavajuci 40 Icu=lcs	25850



Pomoćna oprema za HDM6 prekidače

HDM6S063H1X	HDM6s-63, 100, 250, 400, 630, 800 Proizvodni pogon - okr. ~ četvrtastarucica	1748
HDM6S063LX	HDM6s-63, 100, 250, 400, 630, 800 Mehanička blokada 3P	2850
HDM6S063MNN	HDM6s-63, 100, 250, 400, 630, 800 Podnaponski okidac (desni) AC230V 3P	2211
HDM6S063MNV	HDM6s-63, 100, 250, 400, 630, 800 Podnaponski okidac (desni) AC400V 3P	2211
HDM6S063MXK	HDM6s-63, 100, 250, 400, 630, 800 Naponski okidac (levi) DC24V	1548
HDM6S063MXK3	HDM6s-63, 100, 250, 400, 630, 800 Naponski okidac (desni) DC24V 3P	1585
HDM6S063MXN	HDM6s-63, 100, 250, 400, 630, 800 Naponski okidac (levi) AC230V	1548
HDM6S063MXN3	HDM6s-63, 100, 250, 400, 630, 800 Naponski okidac (desni) AC230V 3P	1585
HDM6S063MXV	HDM6s-63, 100, 250, 400, 630, 800 Naponski okidac (levi) AC400V	1548
HDM6S063MXV3	HDM6s-63, 100, 250, 400, 630, 800 Naponski okidac (desni) AC400V 3P	1585
HDM6S063OFX	HDM6s-63, 100, 250, 400, 630, 800 Pomocni kontakt (desni) (1NO 1NC 3	736
HDM6S063OFXL	HDM6s-63, 100, 250, 400, 630, 800 Pomocni kontakt (levi) (1NO 1NC	846
HDM6S063OFXL2	HDM6s-63, 100, 250, 400, 630, 800 Pomocni kontakt (levi) (2NO 2NC	1132
HDM6S063SDX	HDM6s-63, 100, 250, 400, 630, 800 Alarmni kontakt (levi)	736
HDM6S063SFXDX	HDM6s-63, 100, 250, 400, 630, 800 Pomocni + alarmni kontakt (levi)	1182
HDM6S100T1X	HDM6s- 100, 250, 400, 630, 800 Kleme za povezivanje 3P	293
HDM6S400D1N	HDM6s-400, 630, 800 AC Motorni pogon AC230V	19723
HDM6S400D1N4	HDM6s-400, 630, 800 AC Motorni pogon AC400V	19766

Iskazane cene su bez PDV i samo su informativnog karaktera. **GV Energy doo** zadržava pravo promena cena bez predhodnog obavestavanja. Za sve informacije o stanju lagera i aktuelnim cenama mozete nas kontaktirati putem mejla trade@gvenergy.rs ili telefonom na 018/575 209 kao i 063/77 2 88 90 ili 062/970 2 980. Plaćanje je isključivo virmanski - bezgotovinski.